

Catalogue number: **EUR-MDB**□□□□□□□□

Eureka MDB IP42/IP56 Distribution Board 750-1800mm



Eureka MDB IP42/IP56 Distribution board

- Colour Options: N42 grey, X15 Orange
- Available in IP42/IP56
- Wide range of Enclosure heights
- Rigid Construction
- Complete with DIN rail, mounting brackets & Escutcheon
- Distribution board comes with MCCB or Switch Disconnecter as Main switch

EUR-MDB		□□□
No. of Pole		
12	12 Poles	
18	18 Poles	
24	24 Poles	
30	30 Poles	
36	36 Poles	
42	42 Poles	
48	48 Poles	
60	60 Poles	
72	72 Poles	
84	84 Poles	
96	96 Poles	
		IP42 Distribution board with 250A Non-auto Main Switch
G	N42 Grey	
OR	X15 Orange	
		IP42 Distribution board with 400A Non-auto Main Switch
G4NA	N42 Grey	
O4NA	X15 Orange	
		IP42 Distribution board with 250A MCCB
G2MC	N42 Grey	
O2MC	X15 Orange	
		IP42 Distribution board with 400A MCCB
G4MC	N42 Grey	
O4MC	X15 Orange	
		IP56 Distribution board with 250A Non-auto Main switch
G/WP	N42 Grey	
OR/WP	X15 Orange	
		IP56 Distribution board with 400A Non-auto Main Switch
G4NAWP	N42 Grey	
O4NAWP	X15 Orange	
		IP56 Distribution board with 250A MCCB
G2MCWP	N42 Grey	
O2MCWP	X15 Orange	
		IP56 Distribution board with 400A MCCB
G4MCWP	N42 Grey	
O4MCWP	X15 Orange	



Catalogue number: **EUR-MDB**□□□□□□□□



Eureka MDB IP42/IP56 Distribution Board 750-1800mm

Properties

Properties																	
Manufacturer	Eureka																
Product Range	MDB IP42/IP56 Distribution Boards																
IP rating	<table border="0"> <tr> <td>EUR-MDB□□□□</td> <td>IP42</td> </tr> <tr> <td>EUR-MDB□□□□4NA</td> <td>IP42</td> </tr> <tr> <td>EUR-MDB□□□□2MC</td> <td>IP42</td> </tr> <tr> <td>EUR-MDB□□□□4MC</td> <td>IP42</td> </tr> <tr> <td>EUR-MDB□□□□/WP</td> <td>IP56</td> </tr> <tr> <td>EUR-MDB□□□□4NAWP</td> <td>IP56</td> </tr> <tr> <td>EUR-MDB□□□□2MCWP</td> <td>IP56</td> </tr> <tr> <td>EUR-MDB□□□□4MCWP</td> <td>IP56</td> </tr> </table>	EUR-MDB□□□□	IP42	EUR-MDB□□□□4NA	IP42	EUR-MDB□□□□2MC	IP42	EUR-MDB□□□□4MC	IP42	EUR-MDB□□□□/WP	IP56	EUR-MDB□□□□4NAWP	IP56	EUR-MDB□□□□2MCWP	IP56	EUR-MDB□□□□4MCWP	IP56
EUR-MDB□□□□	IP42																
EUR-MDB□□□□4NA	IP42																
EUR-MDB□□□□2MC	IP42																
EUR-MDB□□□□4MC	IP42																
EUR-MDB□□□□/WP	IP56																
EUR-MDB□□□□4NAWP	IP56																
EUR-MDB□□□□2MCWP	IP56																
EUR-MDB□□□□4MCWP	IP56																
Form Rating	Form 1																
Color Options	N42 Grey, X15 Orange																
Enclosure Material	Mild Steel																
Enclosure Thickness	1.6mm																
Earthing	Easy Earthing																
Escutcheon	Hinged removable Escutcheon made from 1.2mm Mild Steel																
Width	600mm																
Depth	230mm																
Cable Entry	Top or Bottom 1.6mm Mild Steel Gland Plate (Customer to Drill)																
Main Switch	<table border="0"> <tr> <td>EUR-3-250: 3 Pole 250A Non Auto Main Switch</td> </tr> <tr> <td>TS250NETS250: 3 Pole 250A Electronic MCCB</td> </tr> <tr> <td>TS400DSU400: 3 Pole 400A Non-auto MCCB</td> </tr> <tr> <td>TS400NETS400: 3 Pole 400A Electronic MCCB</td> </tr> </table>	EUR-3-250: 3 Pole 250A Non Auto Main Switch	TS250NETS250: 3 Pole 250A Electronic MCCB	TS400DSU400: 3 Pole 400A Non-auto MCCB	TS400NETS400: 3 Pole 400A Electronic MCCB												
EUR-3-250: 3 Pole 250A Non Auto Main Switch																	
TS250NETS250: 3 Pole 250A Electronic MCCB																	
TS400DSU400: 3 Pole 400A Non-auto MCCB																	
TS400NETS400: 3 Pole 400A Electronic MCCB																	
Chassis	<table border="0"> <tr> <td>250A encapsulated 18mm pitch chassis 25kA @ 0.1 sec</td> </tr> <tr> <td>400A encapsulated 18mm pitch chassis 30kA @ 0.1 sec</td> </tr> </table>	250A encapsulated 18mm pitch chassis 25kA @ 0.1 sec	400A encapsulated 18mm pitch chassis 30kA @ 0.1 sec														
250A encapsulated 18mm pitch chassis 25kA @ 0.1 sec																	
400A encapsulated 18mm pitch chassis 30kA @ 0.1 sec																	
Earth and Neutral Bars	<table border="0"> <tr> <td>250A Earth and Neutral bars</td> </tr> <tr> <td>400A Earth and Neutral bars</td> </tr> </table>	250A Earth and Neutral bars	400A Earth and Neutral bars														
250A Earth and Neutral bars																	
400A Earth and Neutral bars																	
DIN Module space	DIN space available next to the main switch																
Compatible Breakers	Suits the Eureka range of Miniature Circuit Breakers and RCBO's																
Door	Lockable door, can be made left or right hand hinged in the field																
Labels	Circuit identification labels and legend card holders supplied																

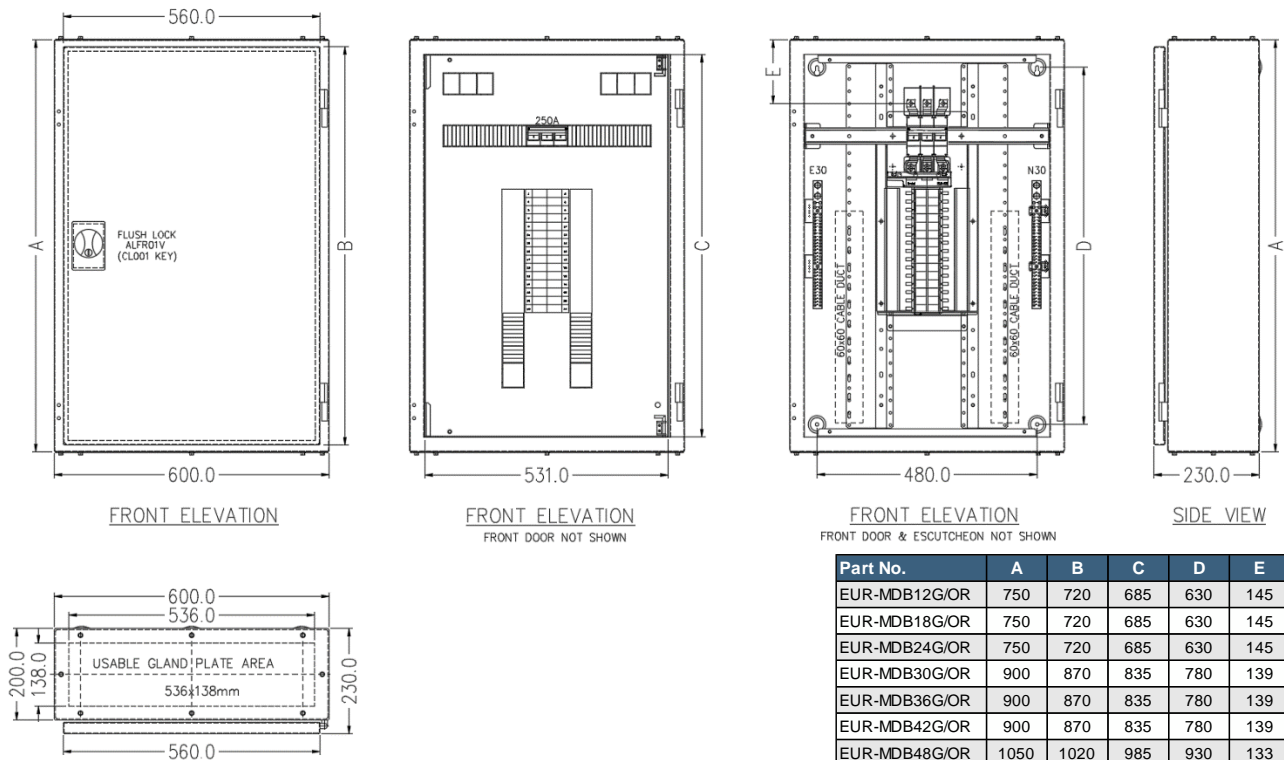


Catalogue number: **EUR-MDB**□□□□□□□□

Eureka MDB IP42/IP56 Distribution Board 750-1800mm

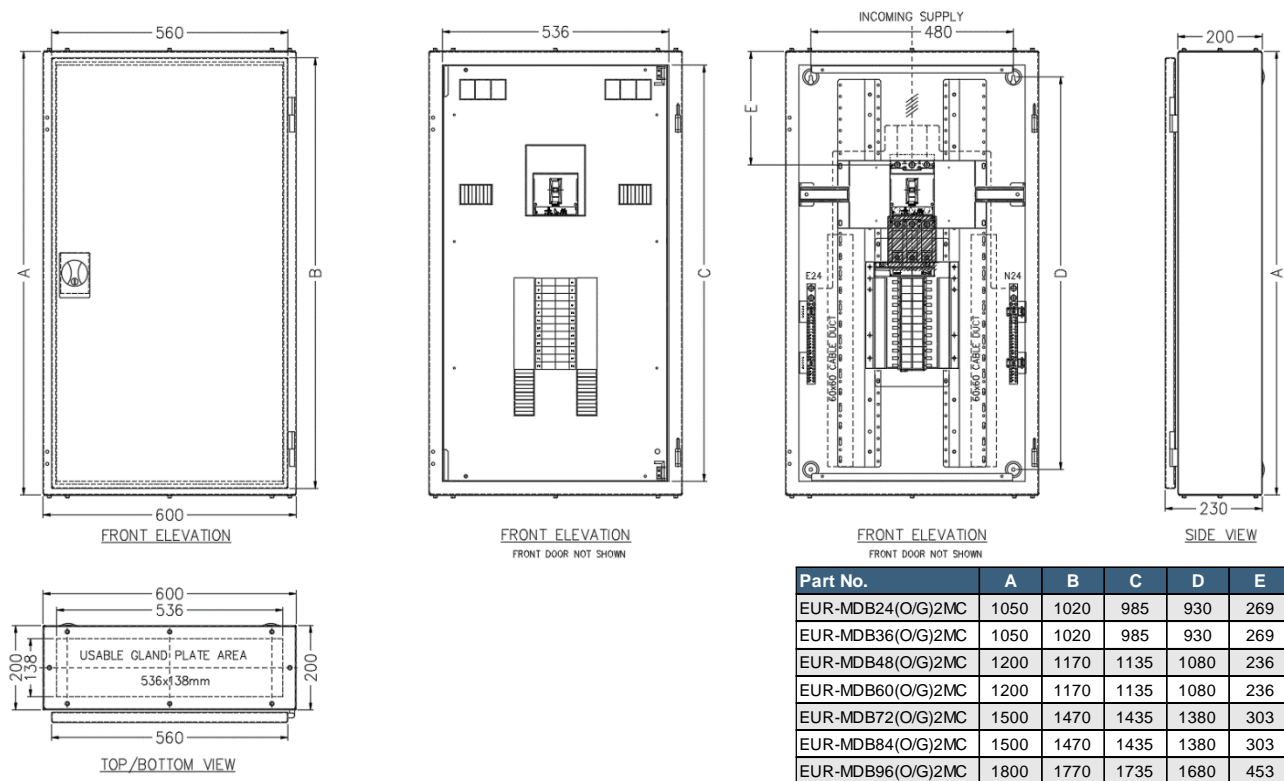


Overall Dimensions for IP42 Distribution board with 250A Non-auto Main Switch



Part No.	A	B	C	D	E
EUR-MDB12G/OR	750	720	685	630	145
EUR-MDB18G/OR	750	720	685	630	145
EUR-MDB24G/OR	750	720	685	630	145
EUR-MDB30G/OR	900	870	835	780	139
EUR-MDB36G/OR	900	870	835	780	139
EUR-MDB42G/OR	900	870	835	780	139
EUR-MDB48G/OR	1050	1020	985	930	133
EUR-MDB60G/OR	1050	1020	985	930	133
EUR-MDB72G/OR	1200	1170	1135	1080	127
EUR-MDB84G/OR	1500	1470	1435	1380	142
EUR-MDB96G/OR	1500	1470	1435	1380	142

Overall Dimensions for IP42 Distribution board with 250A MCCB Main switch



Part No.	A	B	C	D	E
EUR-MDB24(O/G)2MC	1050	1020	985	930	269
EUR-MDB36(O/G)2MC	1050	1020	985	930	269
EUR-MDB48(O/G)2MC	1200	1170	1135	1080	236
EUR-MDB60(O/G)2MC	1200	1170	1135	1080	236
EUR-MDB72(O/G)2MC	1500	1470	1435	1380	303
EUR-MDB84(O/G)2MC	1500	1470	1435	1380	303
EUR-MDB96(O/G)2MC	1800	1770	1735	1680	453

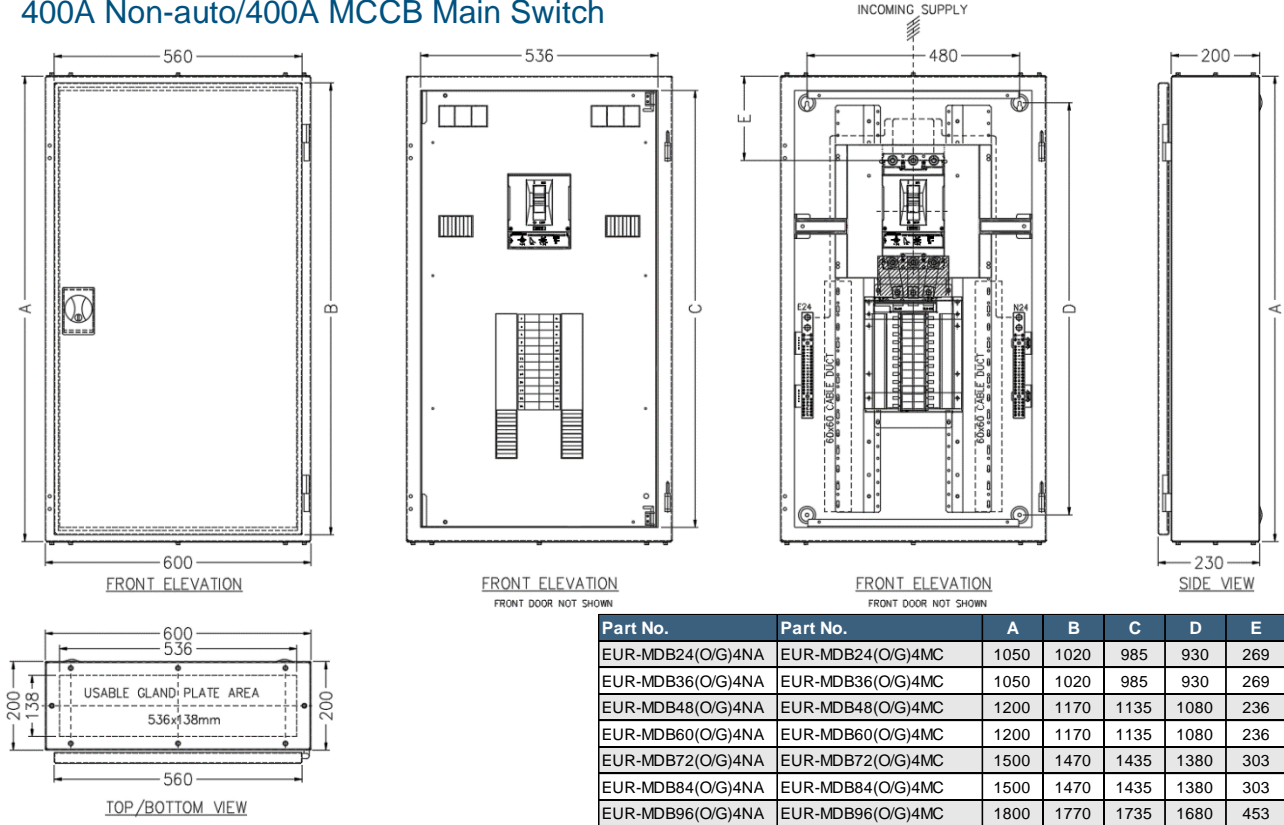


Catalogue number: **EUR-MDB**□□□□□□□□

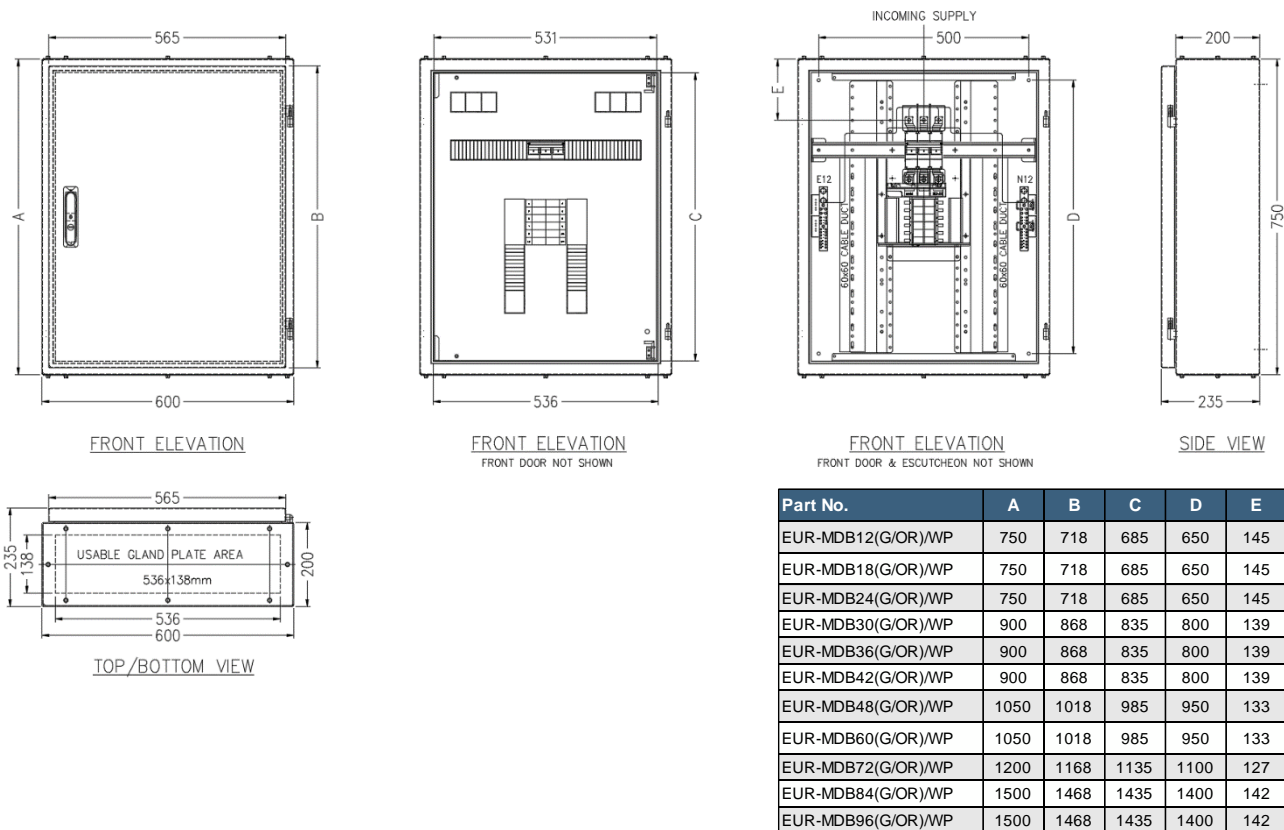
Eureka MDB IP42/IP56 Distribution Board 750-1800mm



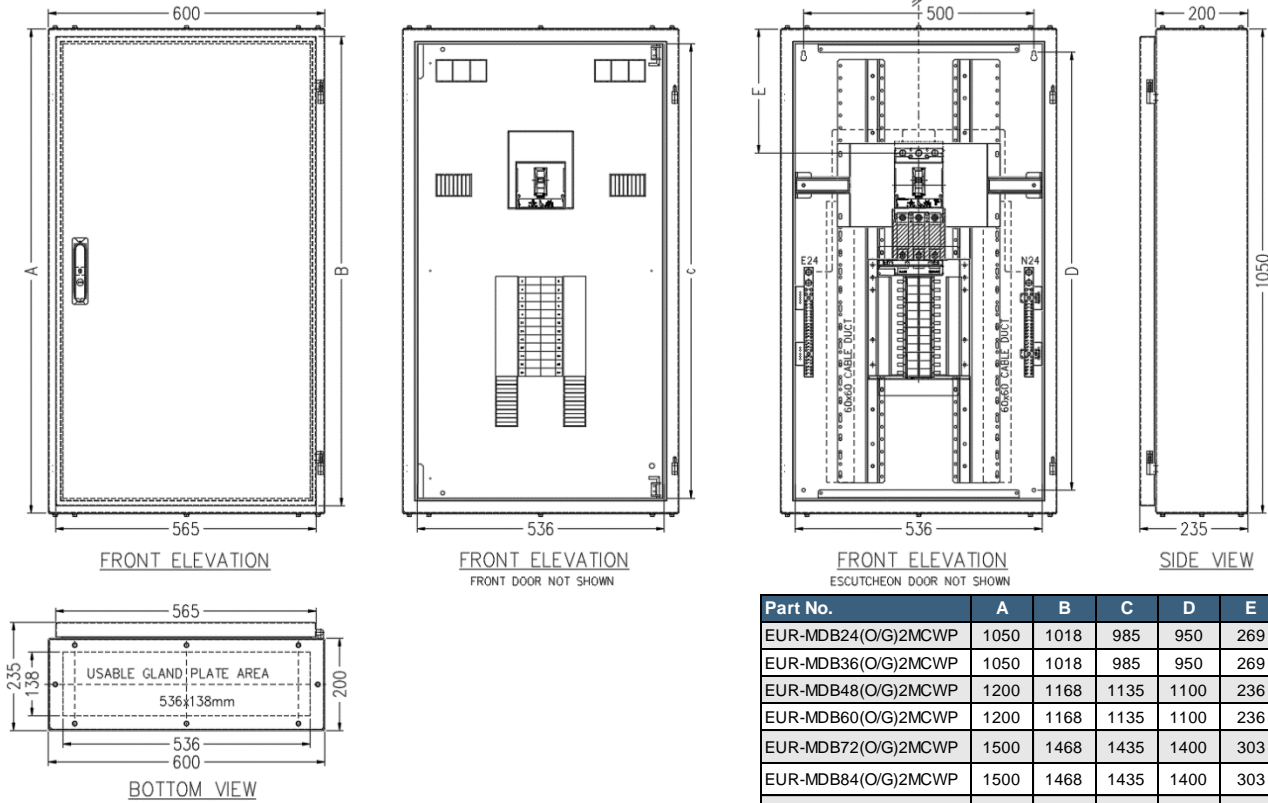
Overall Dimensions for IP42 Distribution board with 400A Non-auto/400A MCCB Main Switch



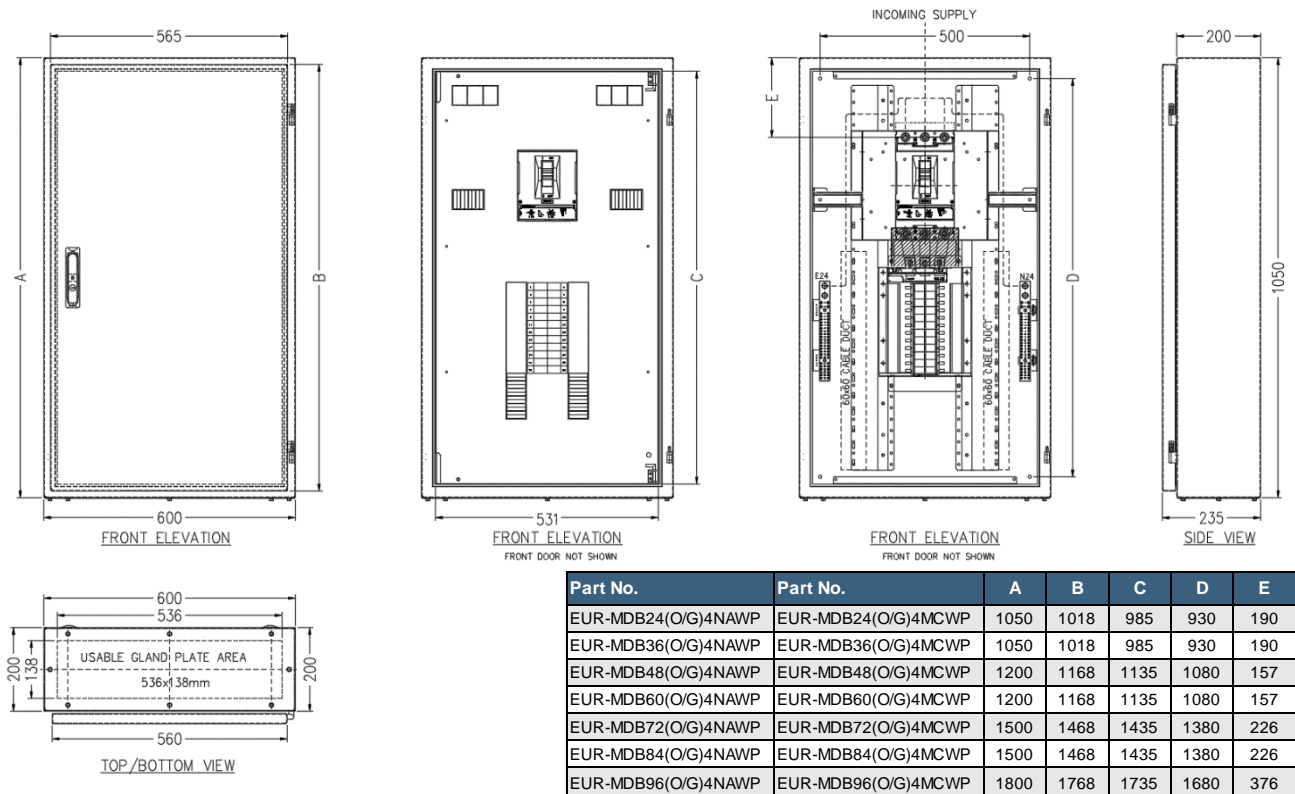
Overall Dimensions for IP56 Distribution board with 250A Non-auto Main Switch

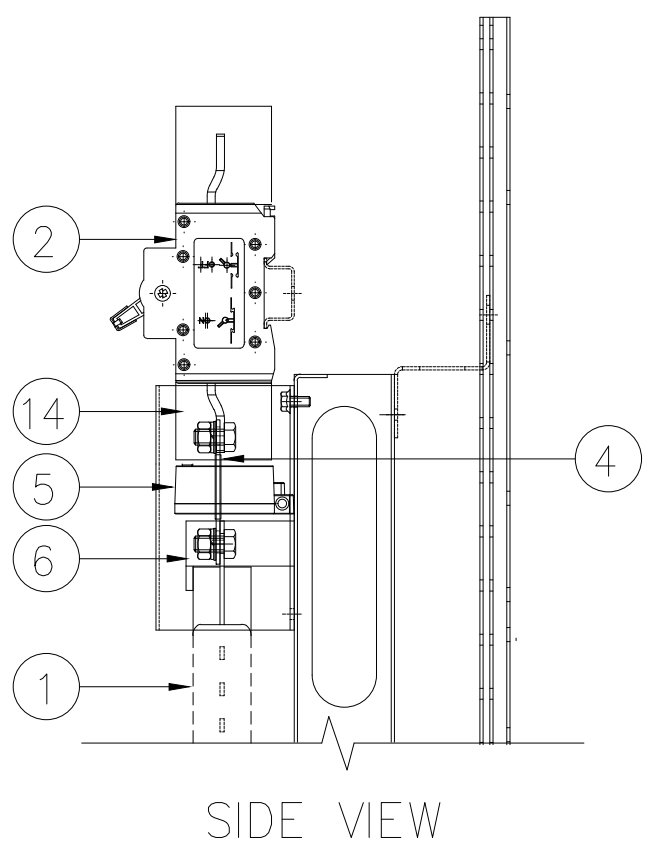
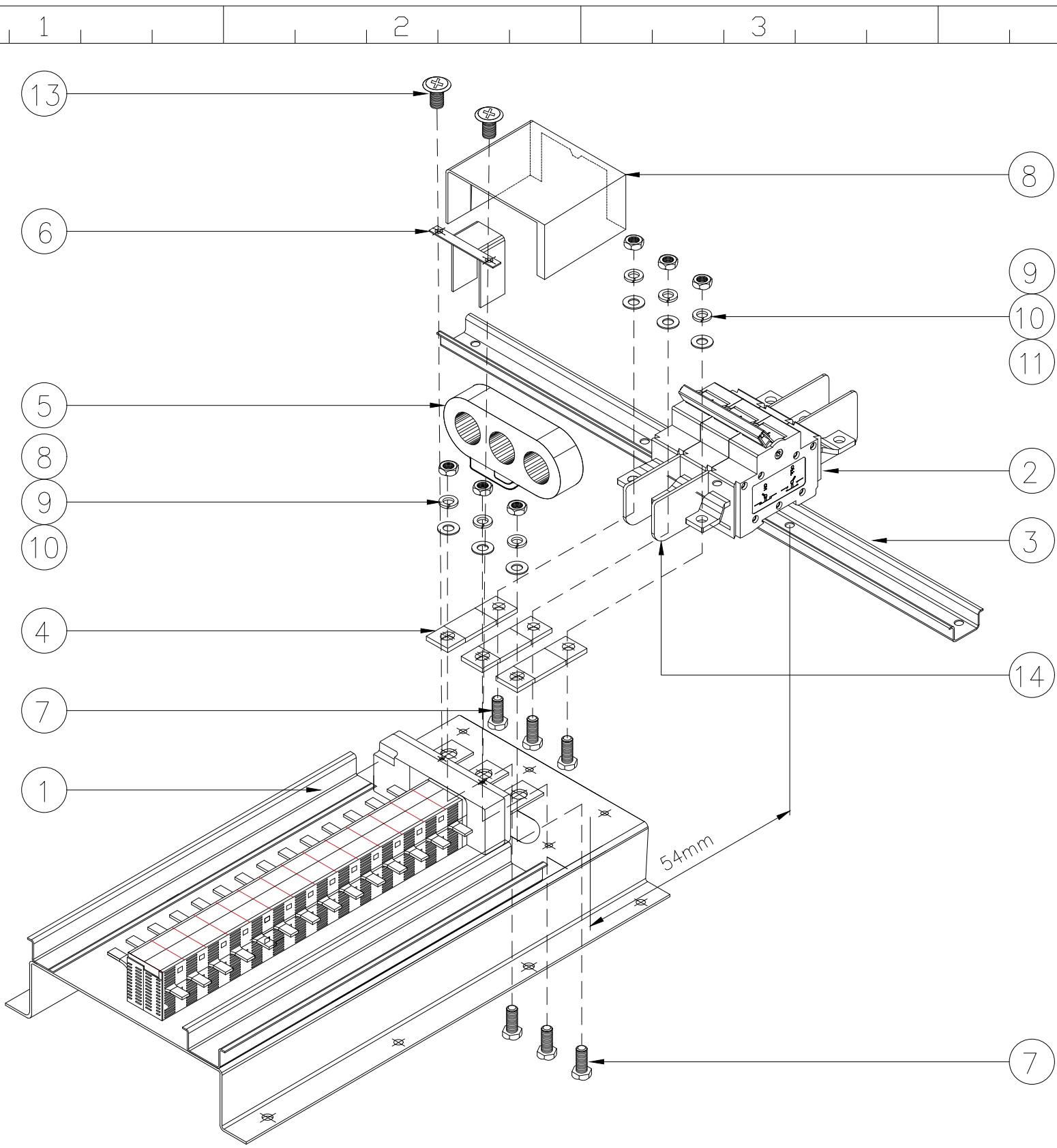


Overall Dimensions for IP56 Distribution board with 250A MCCB Main Switch



Overall Dimensions for IP56 Distribution board with 400A Non-auto/400A MCCB Main Switch

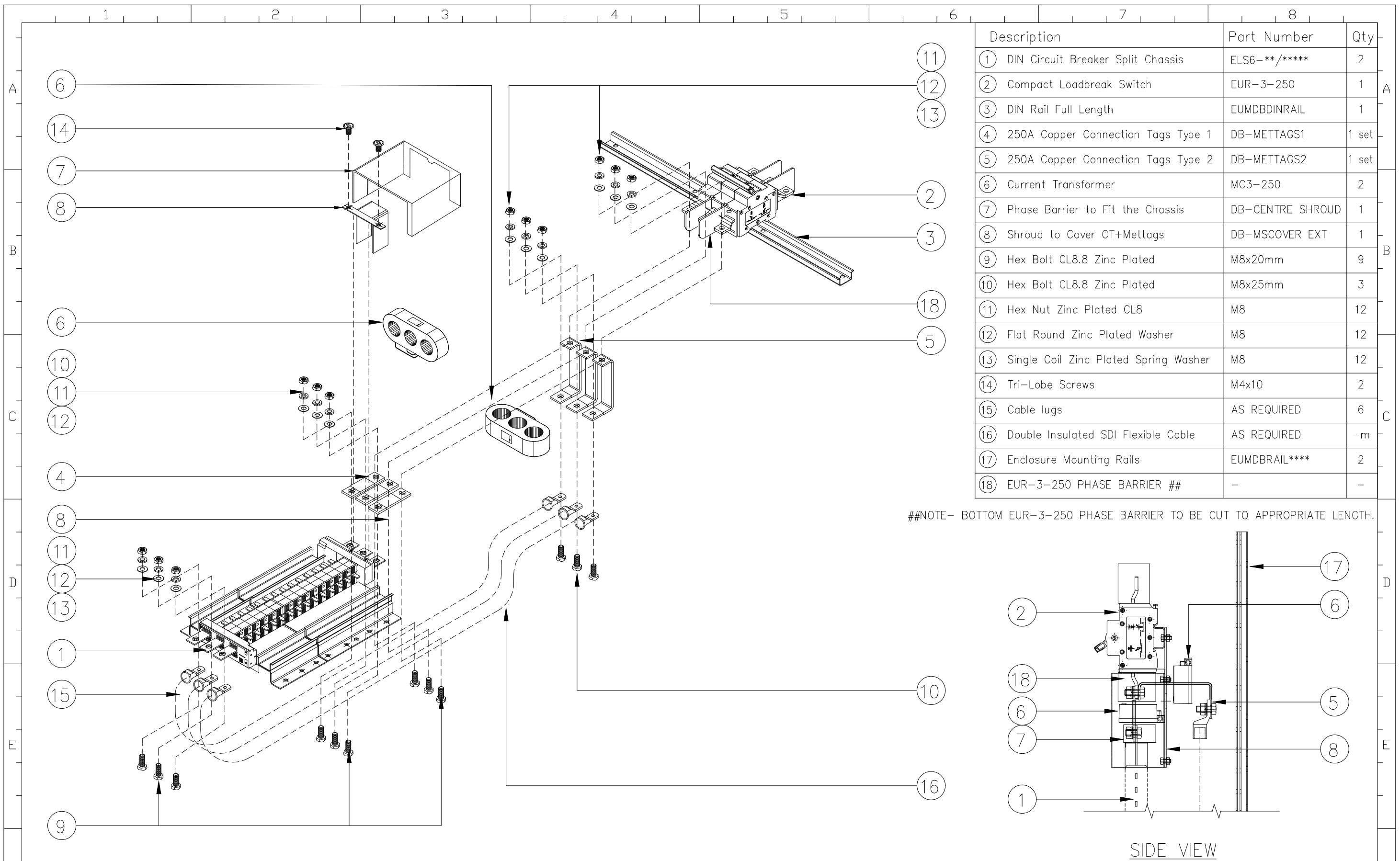




Description	Part Number	Qty
① DIN Circuit Breaker Chassis EMS Type	ELS6-*/**/*EM1	1
② Compact Loadbreak Switch	EUR-3-250	1
③ DIN Rail Full Length	EUMDBDINRAIL	1
④ 250A Copper Connection Tags Type 1	DB-METTAGS1	1 set
⑤ Current Transformer	MC3-250	1
⑥ Phase Barrier to Fit the Chassis	DB-CENTRE SHROUD	1
⑦ Hex Bolt CL8.8 Zinc Plated	M8x20mm	6
⑧ Shroud to Cover CT+Mettags	DB-MSCOVER EXT	1
⑩ Hex Nut Zinc Plated CL8	M8	6
⑪ Flat Round Zinc plated Washer	M8	6
⑫ Single Coil Zinc plated Spring Washer	M8	6
⑬ Tri-Lobe Screws	M4x10	2
⑭ EUR-3-250 PHASE BARRIER ##	-	-

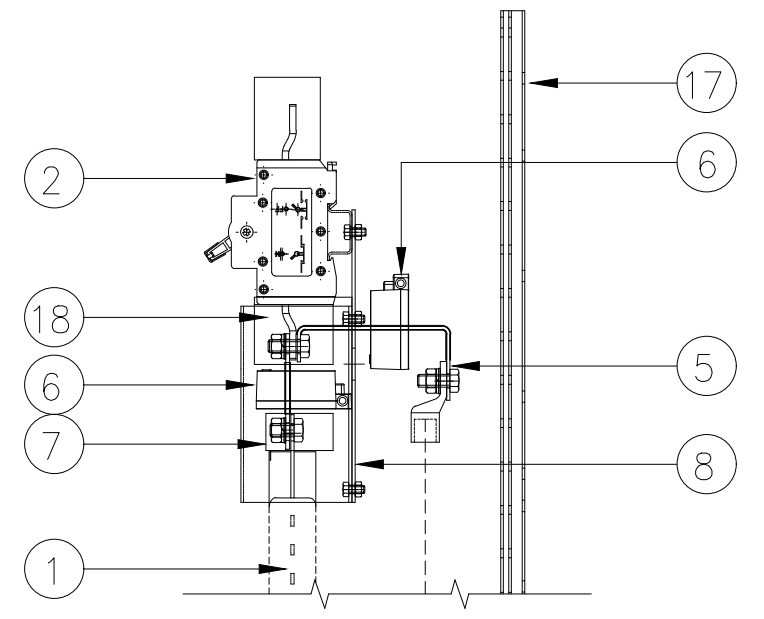
##NOTE- BOTTOM EUR-3-250 PHASE BARRIER TO BE CUT TO APPROPRIATE LENGTH.

					SCALE: 1:5	EUREKA DISTRIBUTION BOARD EMS CHASSIS METERING INSTRUCTION SHEET DB-MET KIT 1	 <small>98 Commercial Drive, Thomastown VIC 3074 www.nawcontrols.com.au www.eurekaelectrical.com.au</small>	A4
2	ISSUED FOR INFORMATION	15.12.20	S.F.		ENGINEERED M.M.			PAGE 1
1	ISSUED FOR INFORMATION	17.06.20	S.F.		DRAWN M.M.			OF 1
0	ISSUED FOR APPROVAL	15.10.14	M.M.	M.M.	APPROVED			
REV	DESCRIPTION	DATE	DRAWN	APPROVED	DATE 15.10.2014	DRAWING No. 5000-5401	REV: 2	OF 1



Description	Part Number	Qty
① DIN Circuit Breaker Split Chassis	ELS6-*/****	2
② Compact Loadbreak Switch	EUR-3-250	1
③ DIN Rail Full Length	EUMDBDINRAIL	1
④ 250A Copper Connection Tags Type 1	DB-METTAGS1	1 set
⑤ 250A Copper Connection Tags Type 2	DB-METTAGS2	1 set
⑥ Current Transformer	MC3-250	2
⑦ Phase Barrier to Fit the Chassis	DB-CENTRE SHROUD	1
⑧ Shroud to Cover CT+Mettags	DB-MSCOVER EXT	1
⑨ Hex Bolt CL8.8 Zinc Plated	M8x20mm	9
⑩ Hex Bolt CL8.8 Zinc Plated	M8x25mm	3
⑪ Hex Nut Zinc Plated CL8	M8	12
⑫ Flat Round Zinc Plated Washer	M8	12
⑬ Single Coil Zinc Plated Spring Washer	M8	12
⑭ Tri-Lobe Screws	M4x10	2
⑮ Cable lugs	AS REQUIRED	6
⑯ Double Insulated SDI Flexible Cable	AS REQUIRED	-m
⑰ Enclosure Mounting Rails	EUMDBRAIL****	2
⑱ EUR-3-250 PHASE BARRIER ##	-	-

##NOTE- BOTTOM EUR-3-250 PHASE BARRIER TO BE CUT TO APPROPRIATE LENGTH.



SIDE VIEW

REV	DESCRIPTION	DATE	DRAWN	APPROVED	DATE
3	ISSUED FOR INFORMATION	15.12.2020	S.F.		
2	ISSUED FOR INFORMATION	17.06.2020	S.F.		
1	ISSUED FOR INFORMATION	18.10.2017	D.J.		
0	ISSUED FOR APPROVAL	13.11.2014	M.M.		

SCALE.	N.T.S.
ENGINEERED	M.M.
DRAWN	M.M.
APPROVED	
DATE	13.11.2014

EUREKA DISTRIBUTION BOARD
SPLIT CHASSIS METERING
INSTRUCTION SHEET

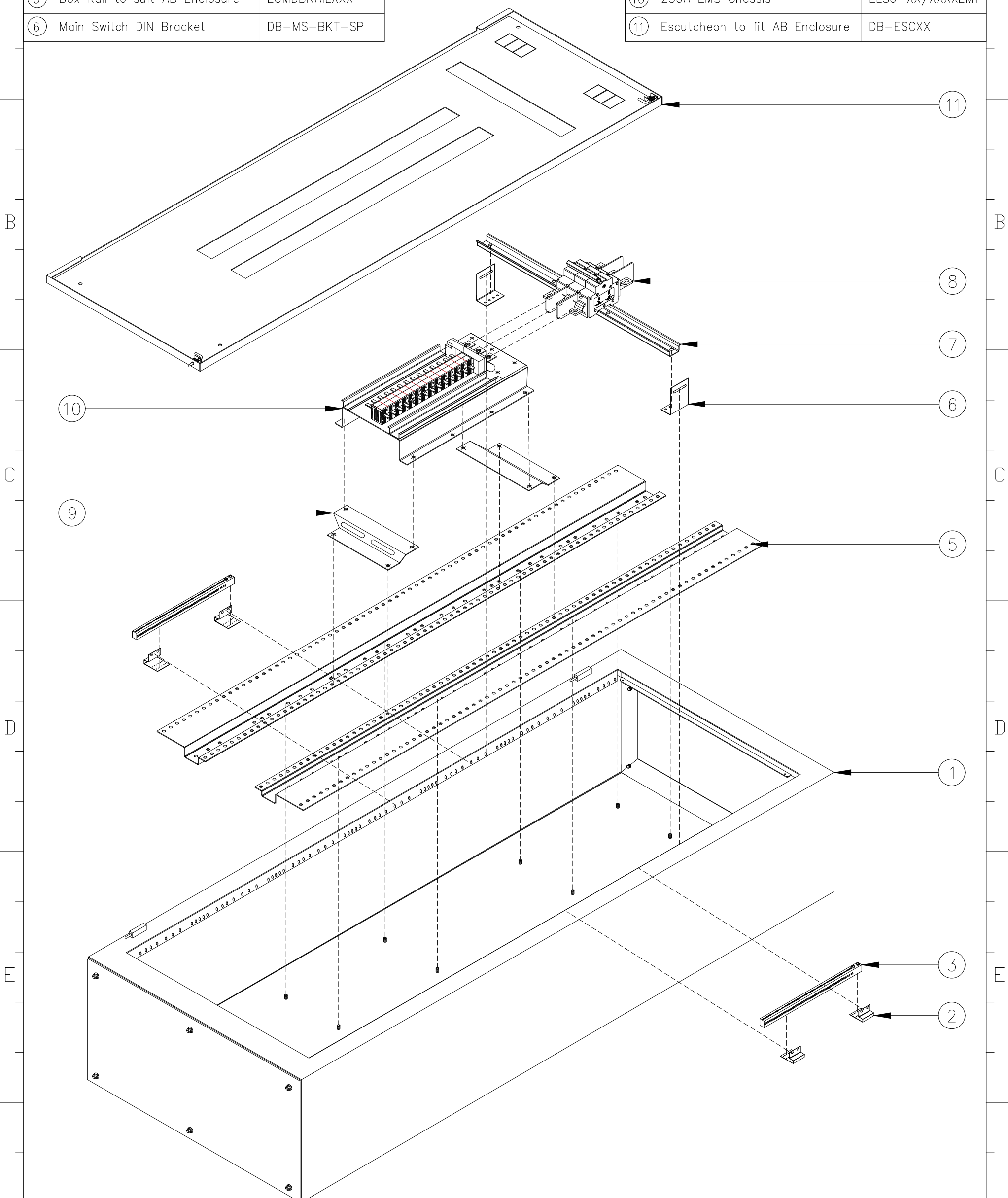
DB-MET KIT 2

98 Commercial Drive, Thomastown VIC 3074
www.nawcontrols.com.au
www.eurekaelectrical.com.au

DRAWING No. 5000-5402 REV: 3

Description	Part Number
① Accessory Box IP42	ABXX-G/OR
③ Earth and Neutral bracket	DB-ENLBKT
④ Earth/Neutral Bar	NE-250F-POXXX
⑤ Box Rail to suit AB Enclosure	EUMDBRAILXXX
⑥ Main Switch DIN Bracket	DB-MS-BKT-SP

Description	Part Number
⑦ 35mm DIN Rail Full Length	EUMDBDINRAIL
⑧ 250A Load Breaker Switch	EUR-3-250
⑨ Chassis Mounting bracket	DB-CB-EUR
⑩ 250A EMS Chassis	ELS6-XX/XXXEM1
⑪ Escutcheon to fit AB Enclosure	DB-ESCXX



REV	DESCRIPTION	DATE	DRAWN	APPROVED	DATE
0	ISSUED FOR INFORMATION	15.12.20	S.F.		15.12.2020

SCALE:	NTS
ENGINEERED	S.F.
DRAWN	S.F.
APPROVED	

EUREKA DISTRIBUTION BOARD
MDB ASSEMBLY
INSTRUCTION SHEET
EUR-MDB**G/OR

A4

PAGE 1

OF 1

98 Commercial Drive, Thomastown VIC 3074
www.nawcontrols.com.au
www.eurekaelectrical.com.au

DRAWING No. 5000-5401 REV: 0