

Catalogue number: **TS□□DSU□□ Range**



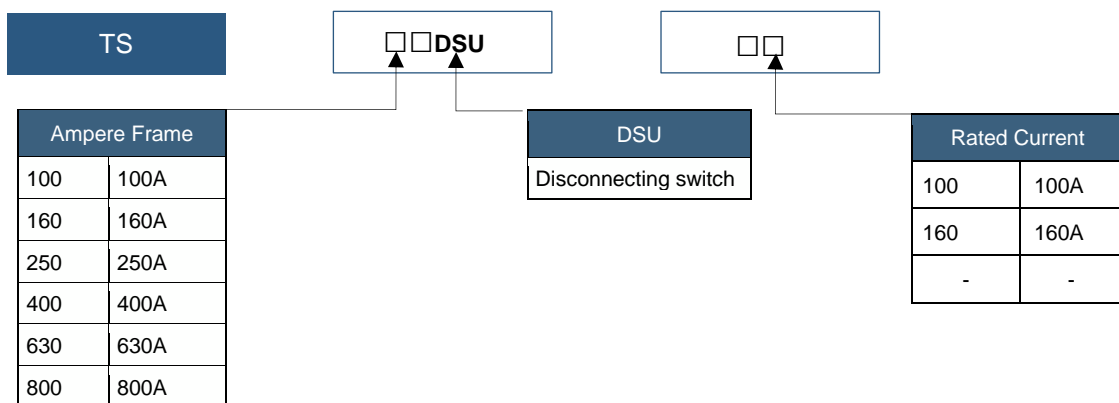
DSU Non-Auto Isolator: 3,4 Pole 100A ~ 800A 50/60Hz



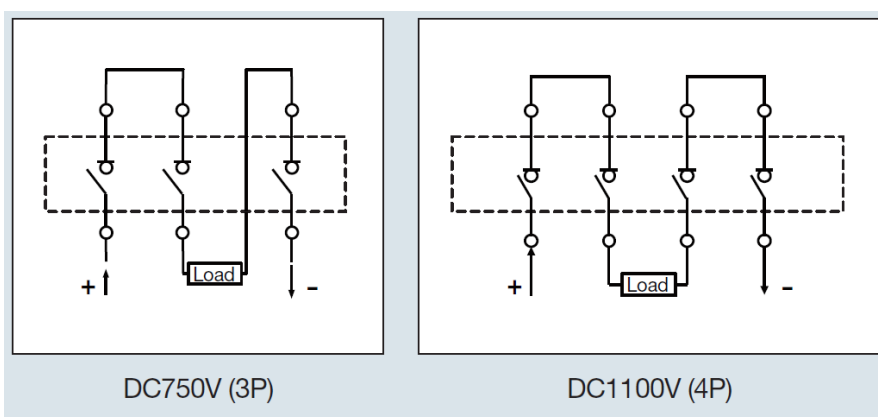
**DSU Non-Auto Isolator**

- Switch Disconnecter
- Optional Auxiliary
- Available in 3 or 4 Pole Range
- Shunt/Undervoltage release auxiliaries available.
- Auxiliary/Alarm/Fault Alarm auxiliary Switches available.

Generic photo only (actual product may change depending on configuration)



**Circuit Diagrams**



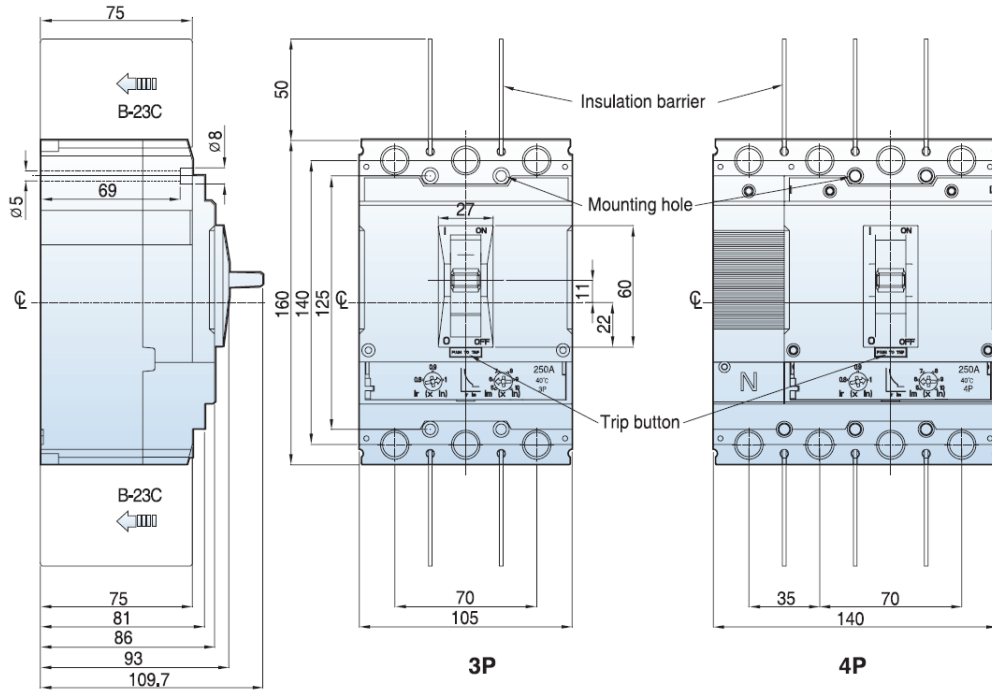
Specifications			TS100DSU100	TS160DSU160	TS250DSU250	TS400DSU400	TSU630DSU630	TSU800DSU800
Conventional thermal current, I <sub>th</sub>	AF		100	160	250	400	630	800
No. of poles			3,4	3,4	3,4	3,4	3,4	3,4
Rated operational voltage, U <sub>e</sub>	AC	V	690	690	690	690	690	690
	DC	V	500	500	500, 750, 1100	500, 750, 1101	500, 750, 1102	500, 750, 1103
Rated operational current, I <sub>e</sub>	A		100	160	250	400	630	800
Rated impulse withstand voltage, U <sub>imp</sub>	Kv		8	8	8	8	8	8
Rated insulation voltage, U <sub>i</sub>	AC	V	750	750	750	750	750	750
	DC	V	1100	1100	1100	1100	1100	1100
Rated short-circuit making capacity, I <sub>cm</sub>	AC	kA peak	2.8	3.6	4.9	7.1	8.5	12
	DC	kA peak	-	-	3	6	6	9.6
Rated short-time withstand current, I <sub>cw</sub>	AC	1s A <sub>rms</sub>	2000	2500	3500	5000	6300	8000
		3s A <sub>rms</sub>	2000	2500	3500	5000	6300	8000
		20s A <sub>rms</sub>	690	960	1350	1930	2320	2560
	DC	1s A <sub>rms</sub>	-	-	3000	6000	6000	9600
Disconnecter unit DSU			y	y	y	y	y	y
Mechanical life	Operations		25000	25000	25000	20000	20000	10000
Electrical life @415 V	AC	Operations	10000	10000	10000	6000	6000	3000
	DC	Operations	1000	1000	1000	1000	1000	500
Reference standard			IEC60947-3	IEC60947-3	IEC60947-3	IEC60947-3	IEC60947-3	IEC60947-3

Catalogue number: **TS□□DSU□□ Range**

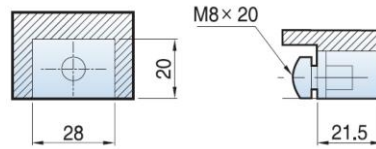


DSU Non-Auto Isolator: 3,4 Pole 100A ~ 800A 50/60Hz

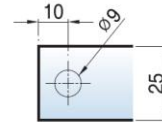
**Dimensions for  
TS100 TS160 TS250**



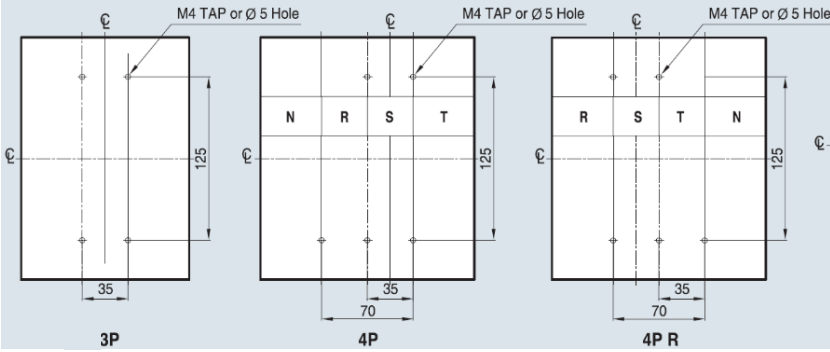
**Terminal section**



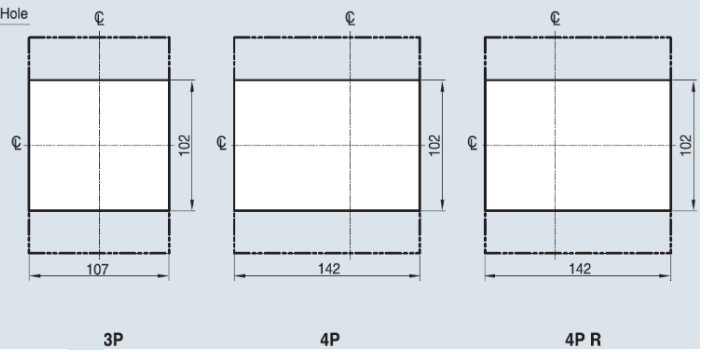
**Conductor**



**Panel drilling**



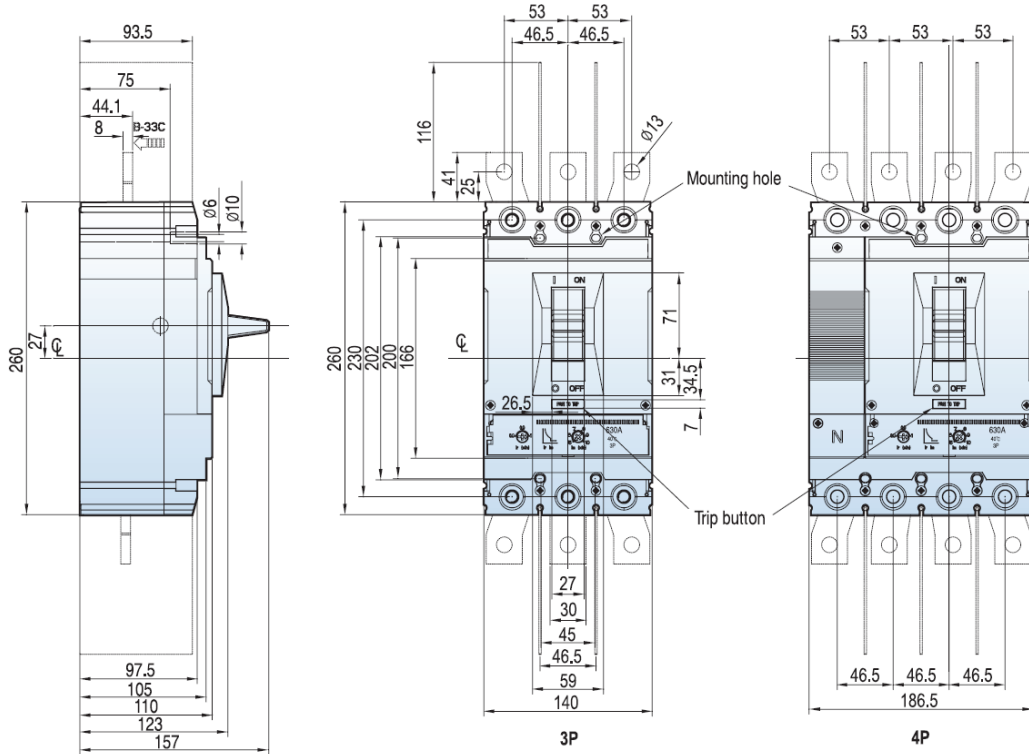
**Front panel cutting**



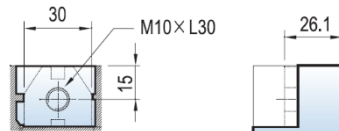
N.A.W. Controls Pty. Ltd.  
Telephone: (03) 9464 6555  
www.nawcontrols.com.au

LS MCCB DSU range  
May 2020

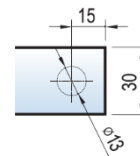
Dimensions for  
TS400 TS630



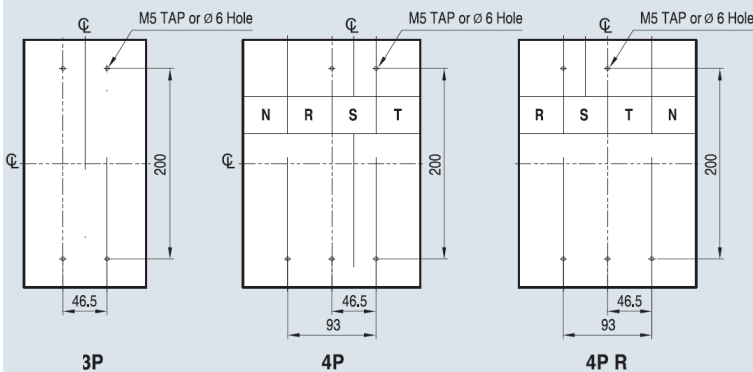
Terminal section



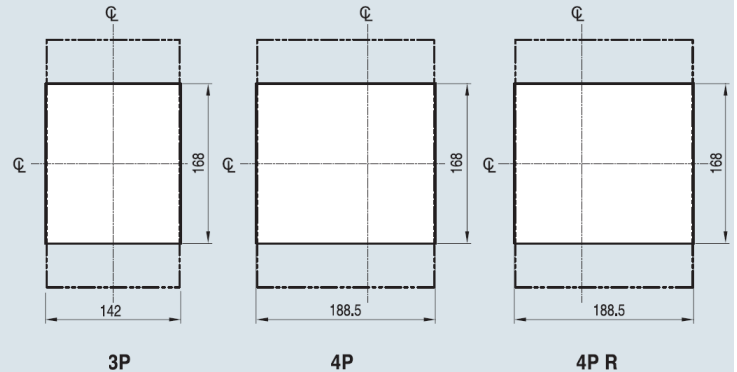
Conductor



Panel drilling



Front panel cutting

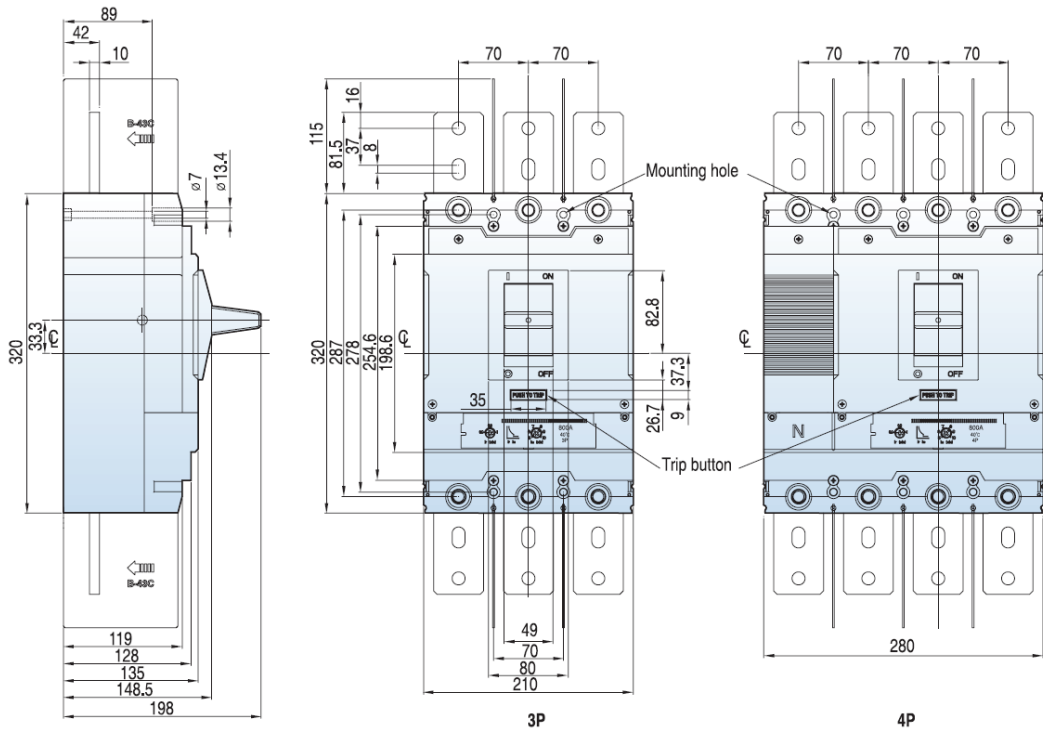


Catalogue number: **TS□□DSU□□ Range**

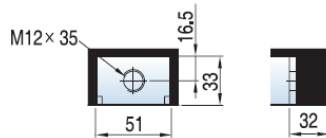


DSU Non-Auto Isolator: 3,4 Pole 100A ~ 800A 50/60Hz

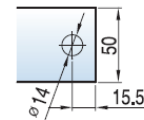
**Dimensions for TS**



**Terminal section**

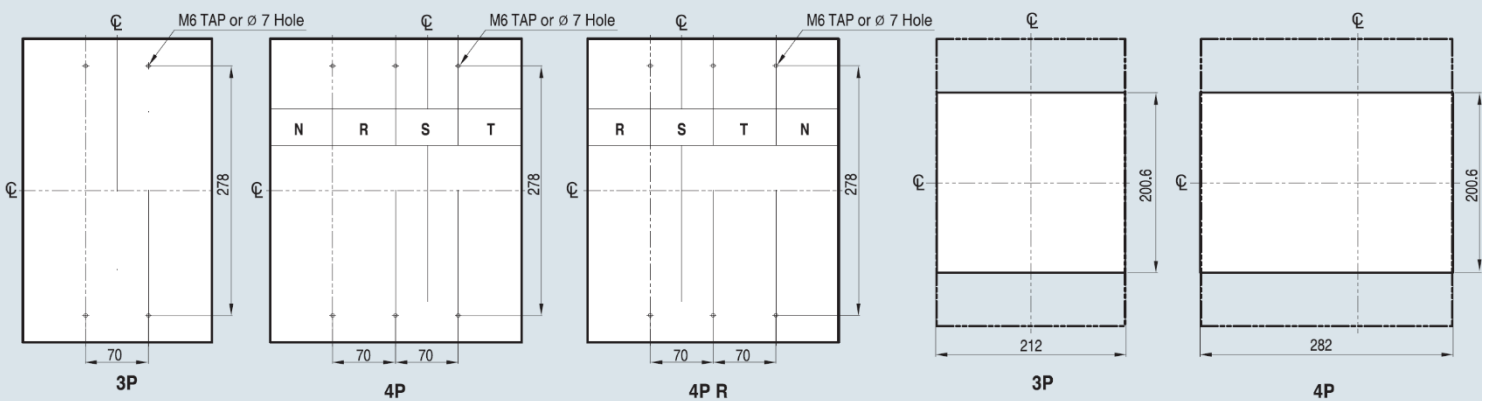


**Conductor**



**Panel drilling**

**Front panel cutting**



N.A.W. Controls Pty. Ltd.  
 Telephone: (03) 9464 6555  
 www.nawcontrols.com.au

LS MCCB DSU range  
 May 2020