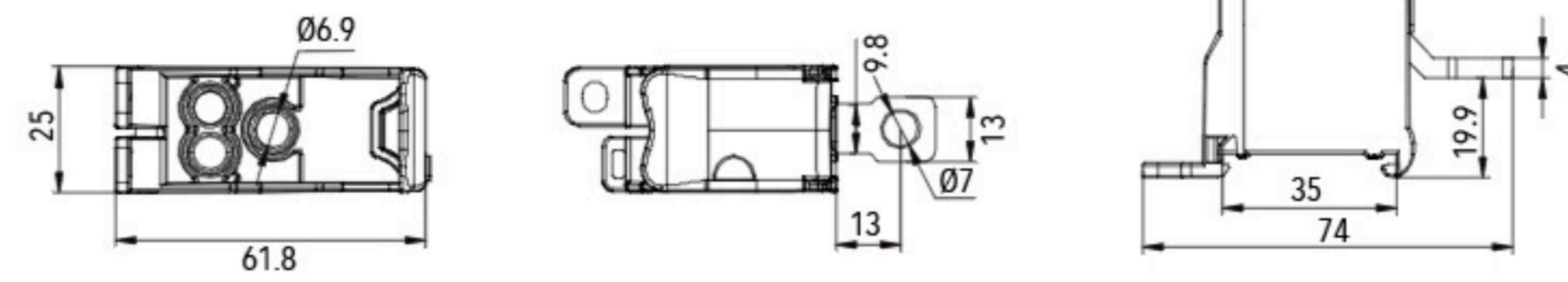




DBK125-3

■ DIMENSION (mm)

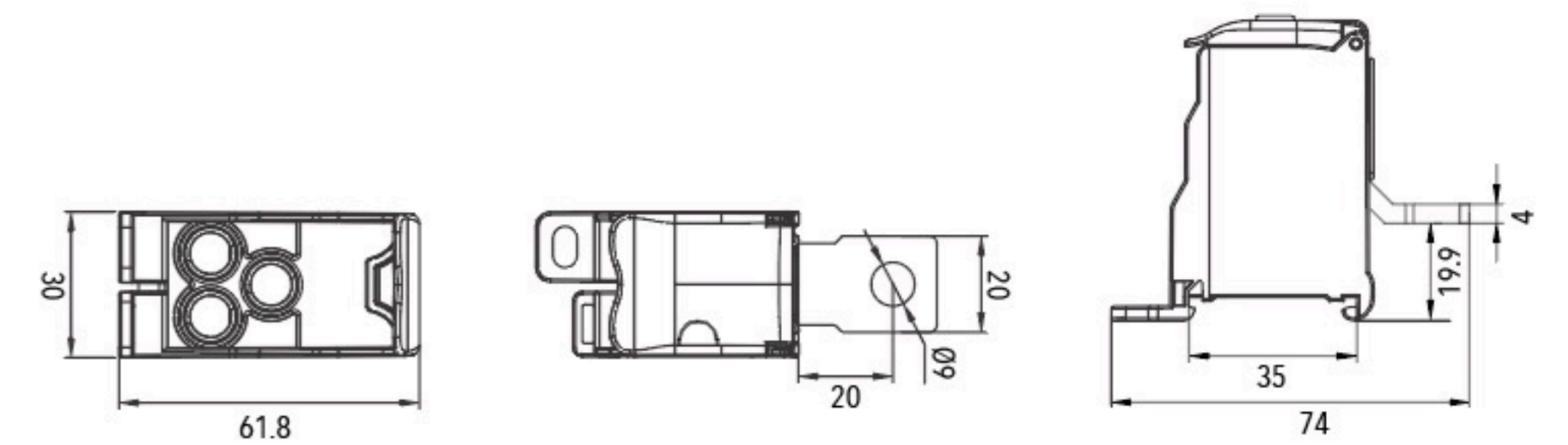


Model	Output	Rated Current	Rated Voltage
DBK125-3	3x16 mm ²	125A	1500V DC 1000V AC



DBK250-3

■ DIMENSION (mm)

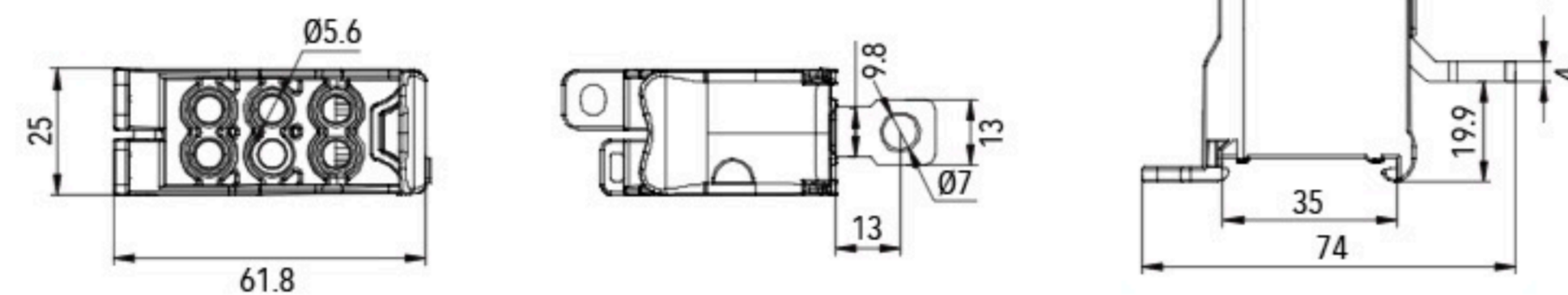


Model	Output	Rated Current	Rated Voltage
DBK250-3	3x25 mm ²	250A	1500V DC 1000V AC



DBK125-6

■ DIMENSION (mm)

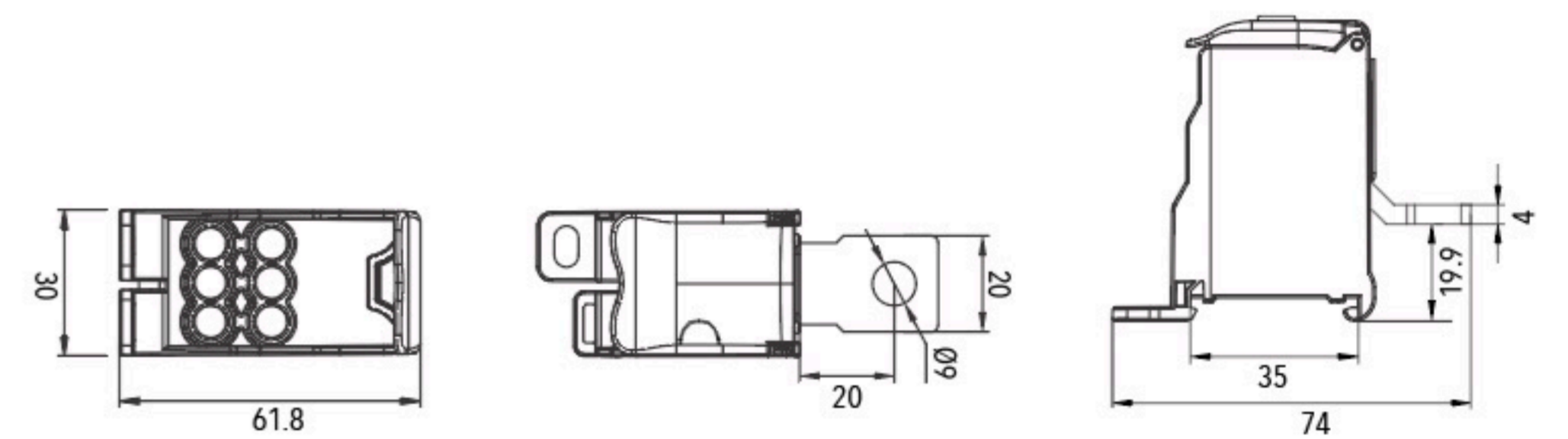


Model	Output	Rated Current	Rated Voltage
DBK125-6	6x10 mm ²	125A	1500V DC 1000V AC



DBK250-6

■ DIMENSION (mm)

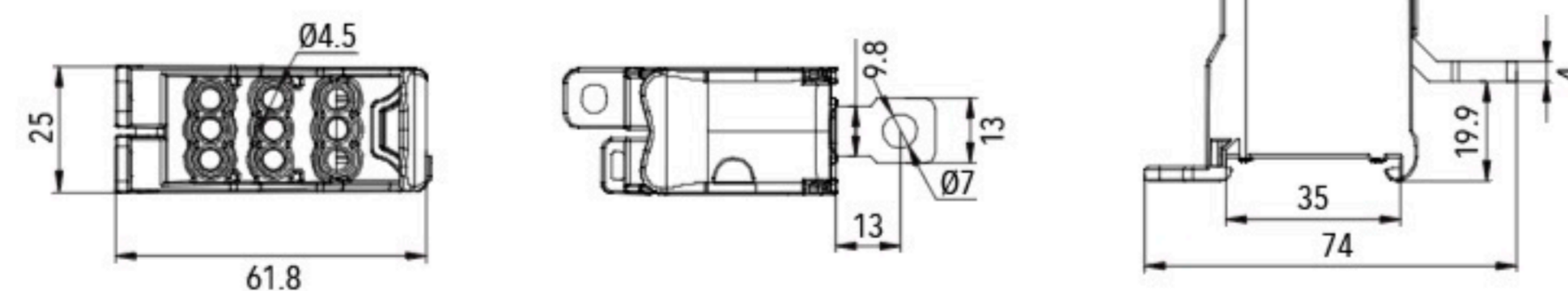


Model	Output	Rated Current	Rated Voltage
DBK250-6	6x16 mm ²	250A	1500V DC 1000V AC



DBK125-9

■ DIMENSION (mm)

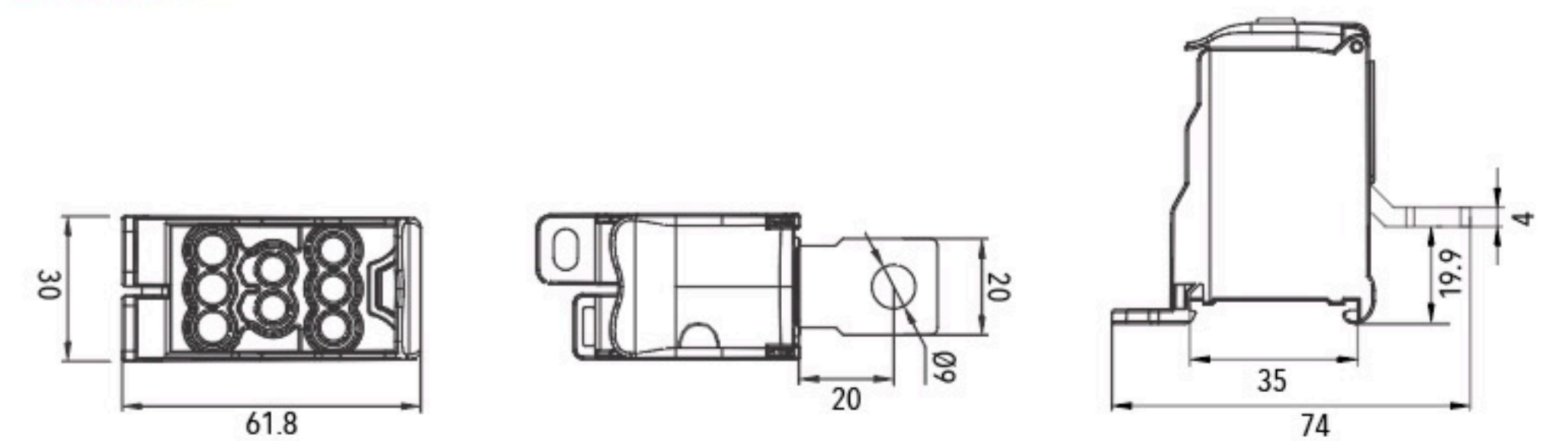


Model	Output	Rated Current	Rated Voltage
DBK125-9	9x6 mm ²	125A	1500V DC 1000V AC



DBK250-8

■ DIMENSION (mm)



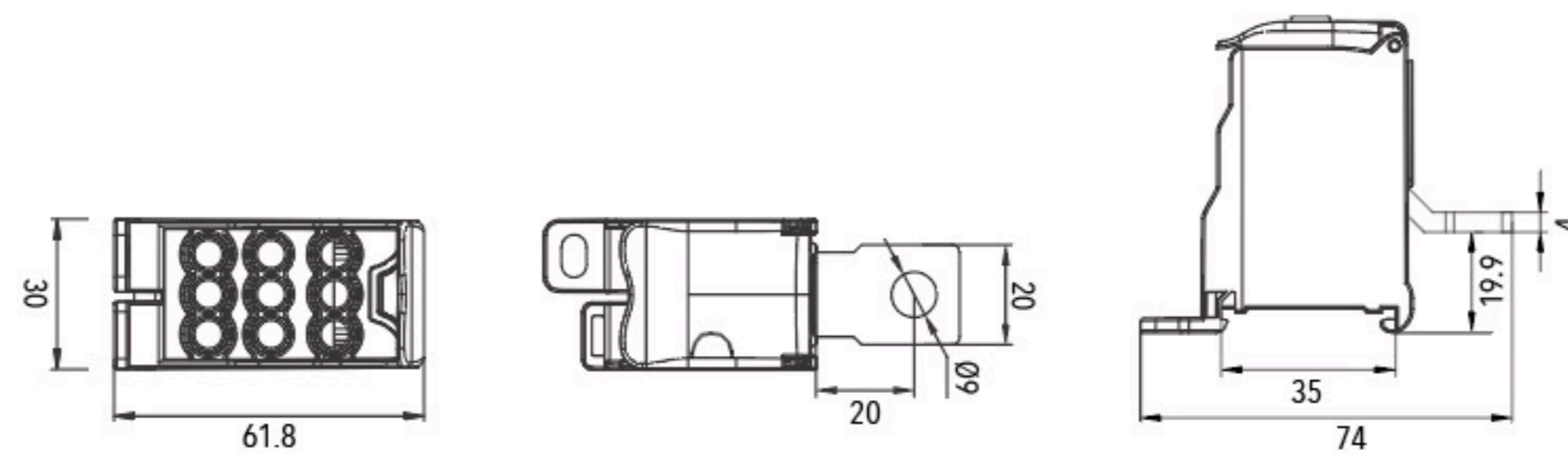
Model	Output	Rated Current	Rated Voltage
DBK250-8	8x16 mm ²	250A	1500V DC 1000V AC





DBK250-9

■ DIMENSION (mm)



Model	Output	Rated Current	Rated Voltage
DBK250-9	9x10 mm ²	250A	1500V DC 1000V AC

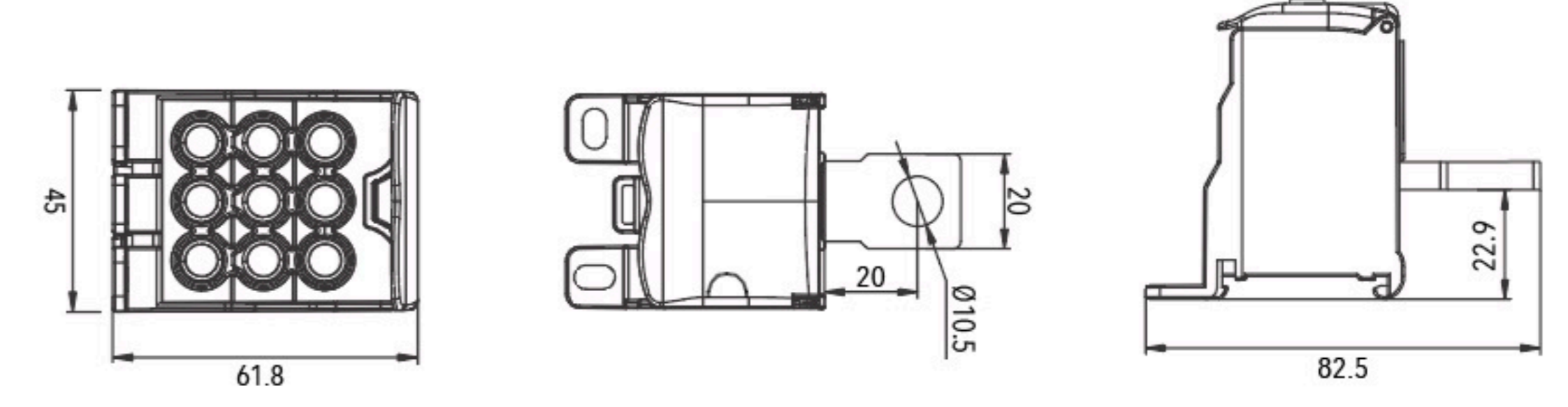


COLOR MARKER KIT:



DBK400-9

■ DIMENSION (mm)



Model	Output	Rated Current	Rated Voltage
DBK400-9	9x16 mm ²	400A	1500V DC 1000V AC

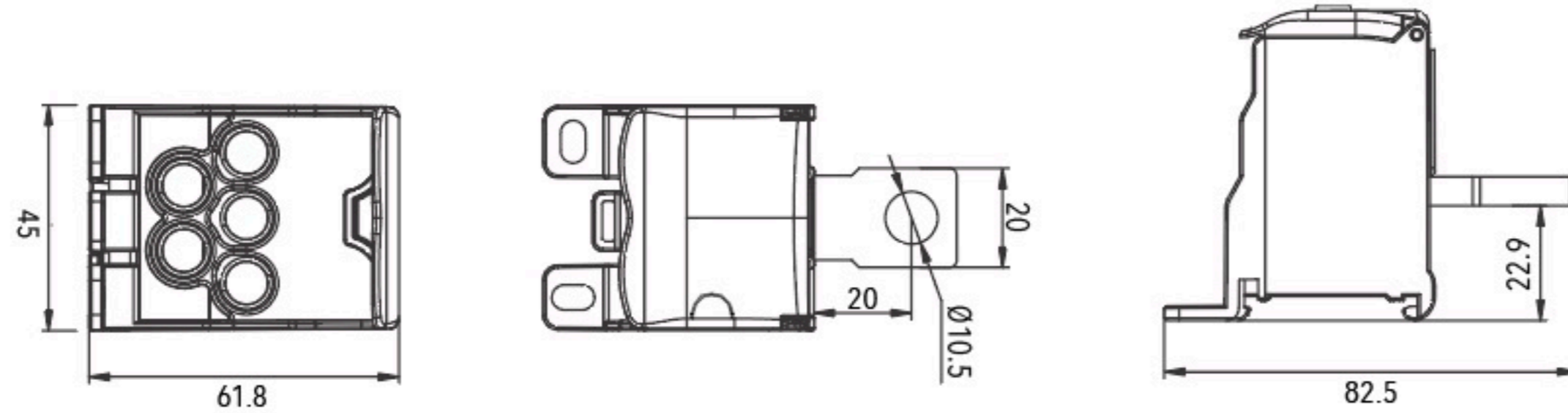


COLOR MARKER KIT:



DBK400-5

■ DIMENSION (mm)



Model	Output	Rated Current	Rated Voltage
DBK400-5	5x25 mm ²	400A	1500V DC 1000V AC

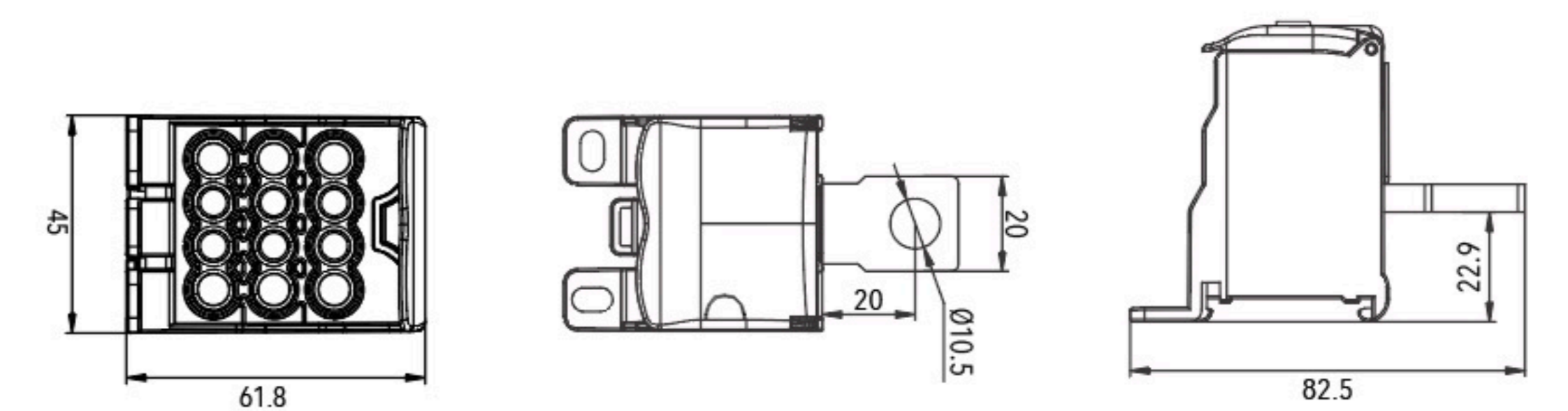


COLOR MARKER KIT:



DBK400-12

■ DIMENSION (mm)



Model	Output	Rated Current	Rated Voltage
DBK400-12	6x16 mm ² 6x10 mm ²	400A	1500V DC 1000V AC

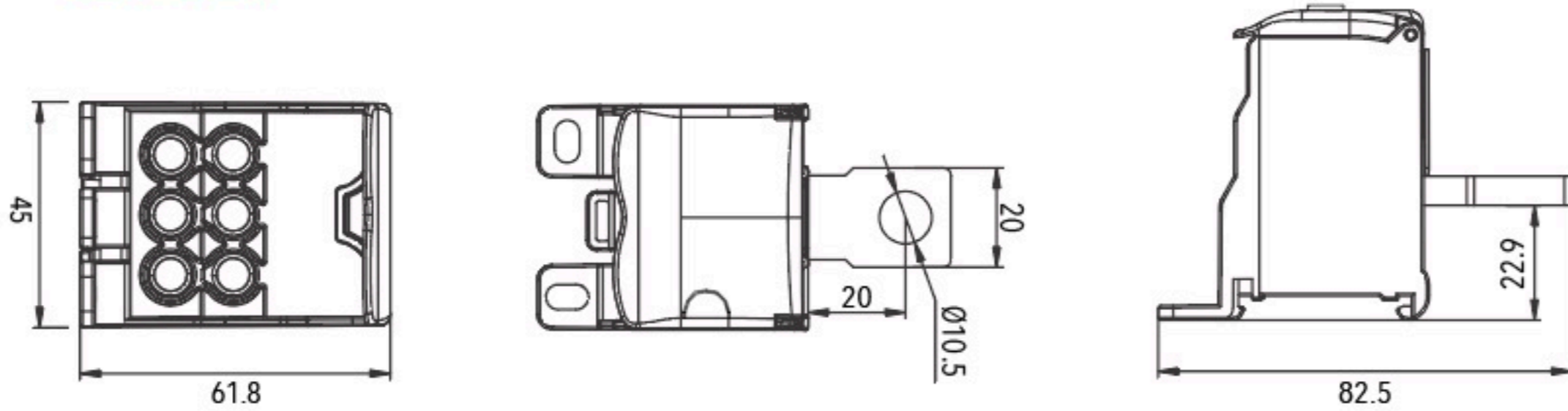


COLOR MARKER KIT:



DBK400-6

■ DIMENSION (mm)



Model	Output	Rated Current	Rated Voltage
DBK400-6	6x16 mm ²	400A	1500V DC 1000V AC

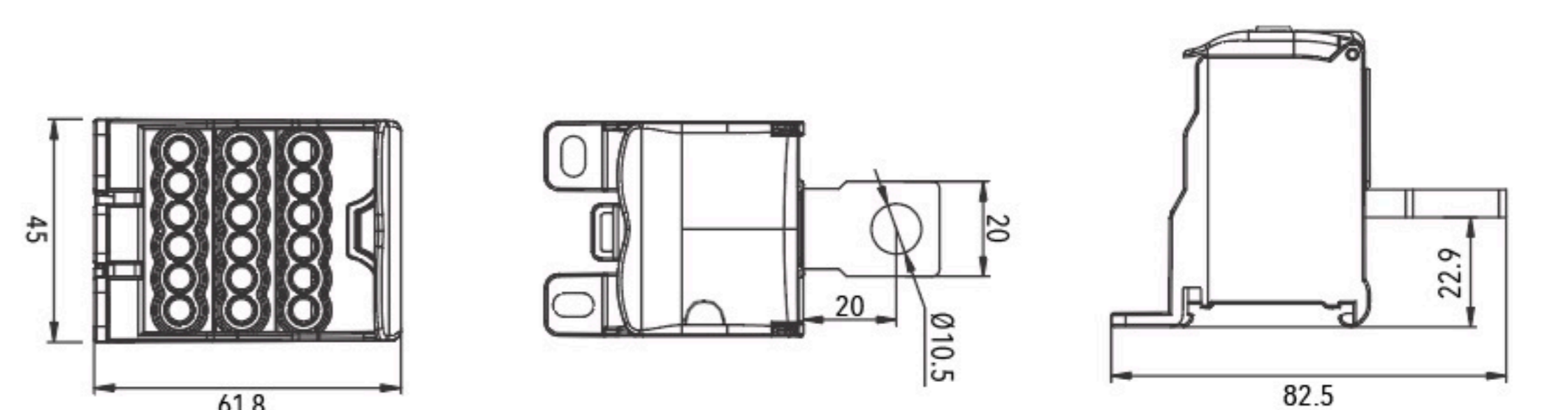


COLOR MARKER KIT:



DBK400-18

■ DIMENSION (mm)



Model	Output	Rated Current	Rated Voltage
DBK400-18	18x6 mm ²	400A	1500V DC 1000V AC

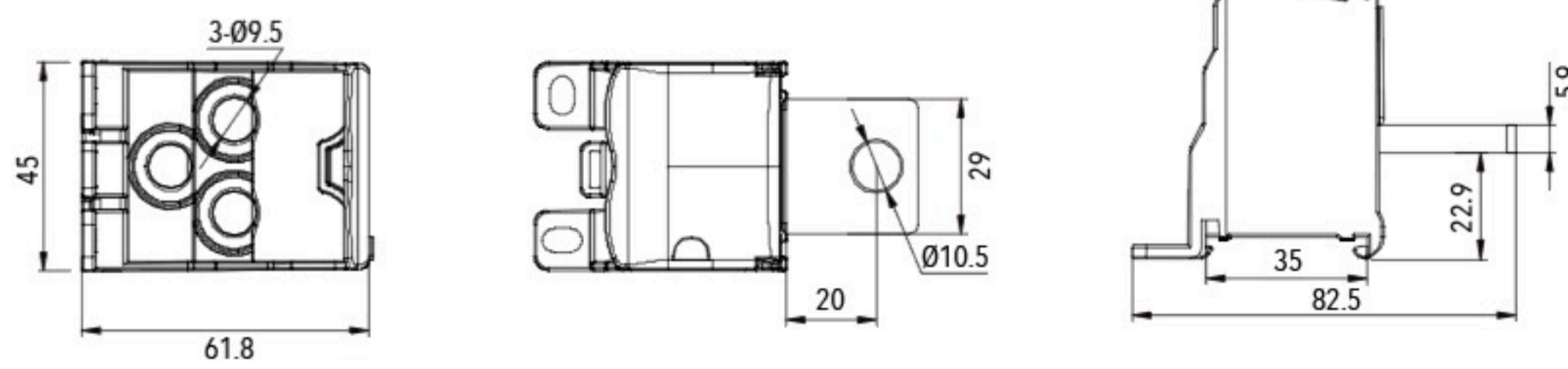


COLOR MARKER KIT:



DBK630-3

■ DIMENSION (mm)

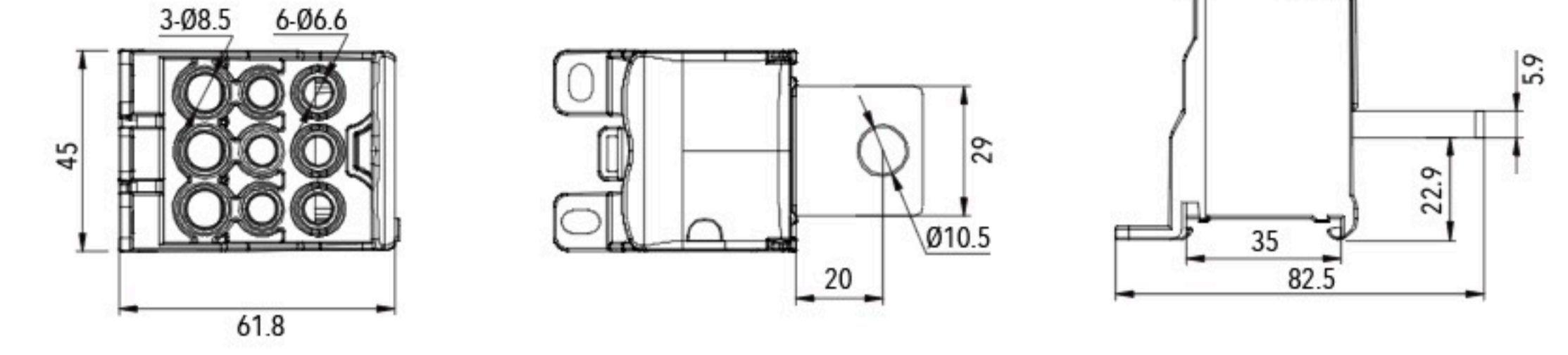


Model	Output	Rated Current	Rated Voltage
DBK630-3	3x50 mm ²	630A	1500V DC 1000V AC

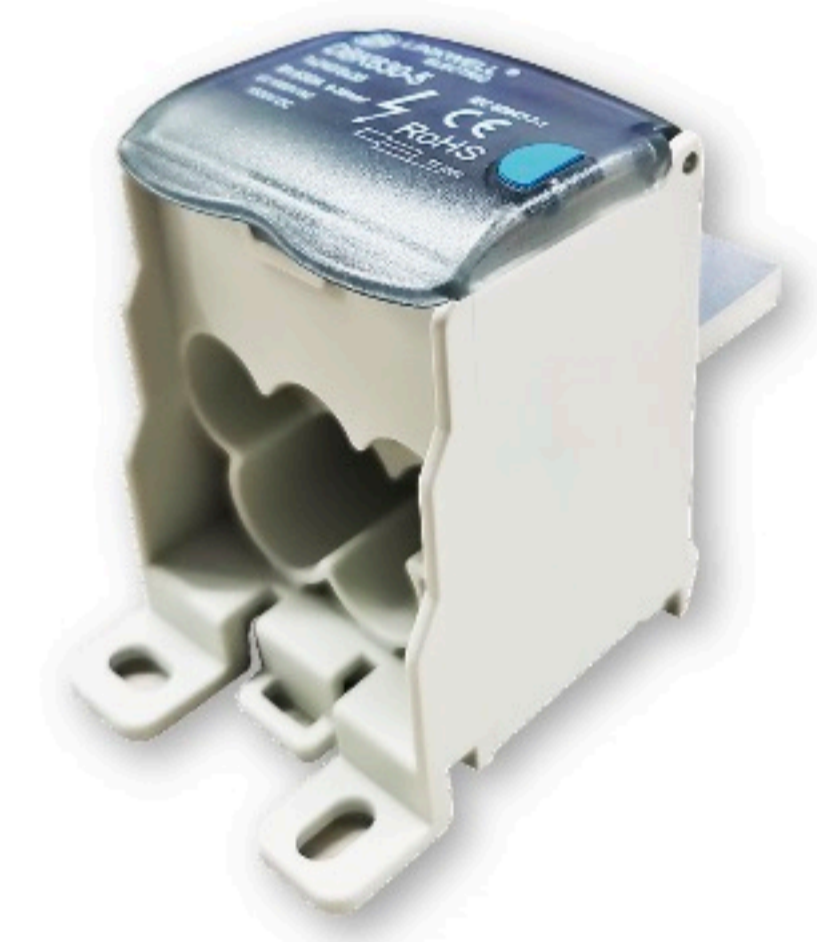


DBK630-9

■ DIMENSION (mm)

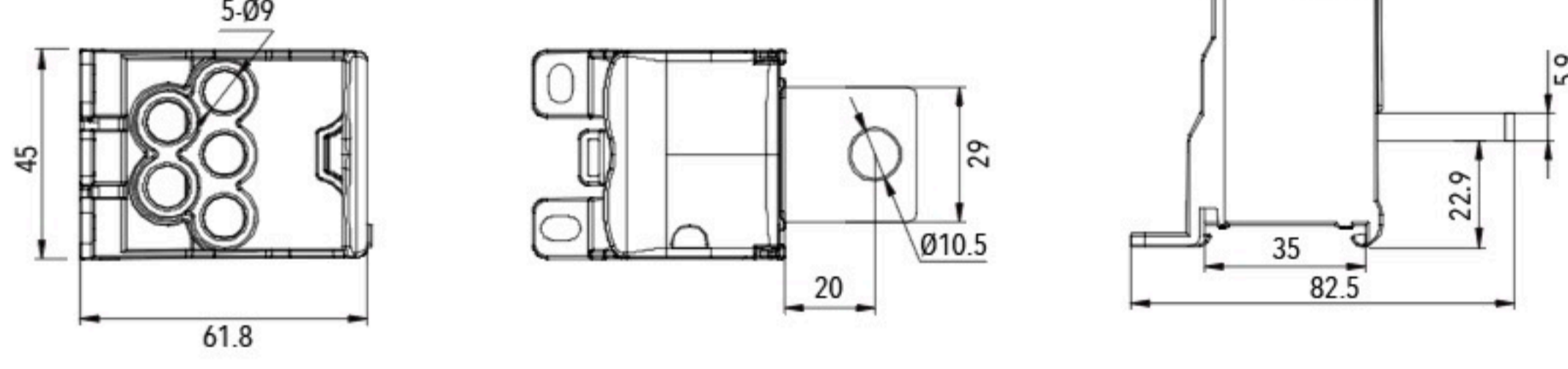


Model	Output	Rated Current	Rated Voltage
DBK630-9	6x16 mm ² 3x25 mm ²	630A	1500V DC 1000V AC



DBK630-5

■ DIMENSION (mm)

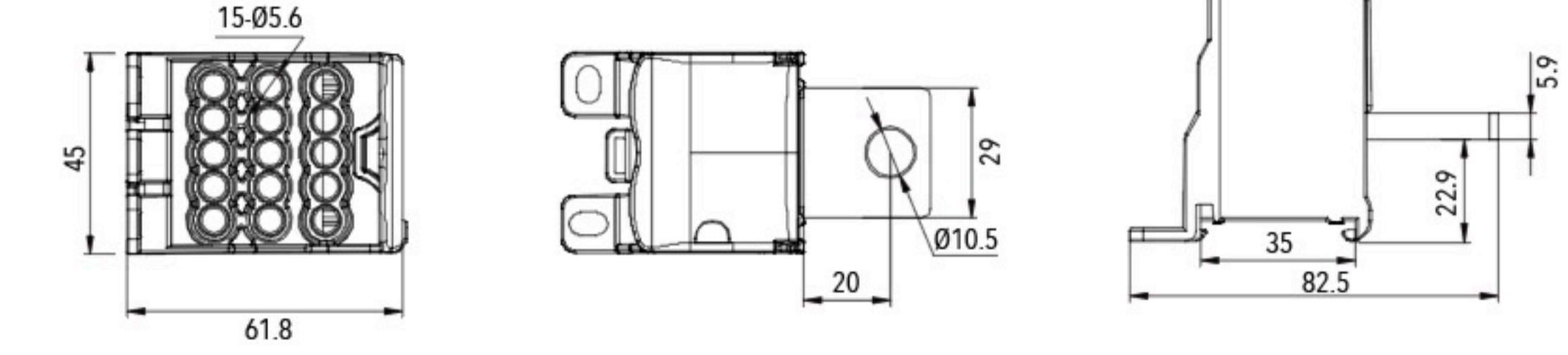


Model	Output	Rated Current	Rated Voltage
DBK630-5	5x35 mm ²	630A	1500V DC 1000V AC



DBK630-15

■ DIMENSION (mm)

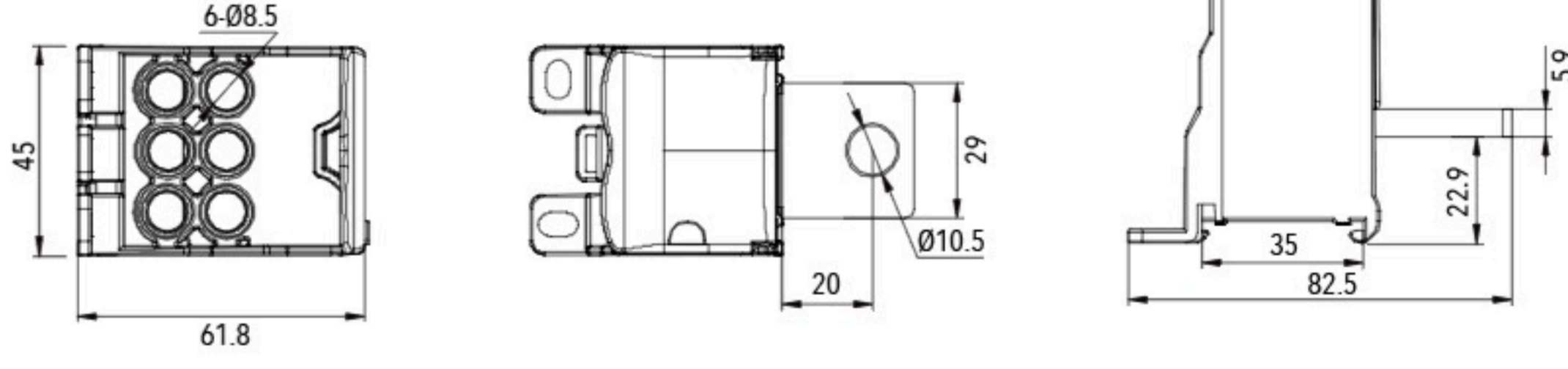


Model	Output	Rated Current	Rated Voltage
DBK630-15	15x10 mm ²	630A	1500V DC 1000V AC



DBK630-6

■ DIMENSION (mm)



Model	Output	Rated Current	Rated Voltage
DBK630-6	6x25 mm ²	630A	1500V DC 1000V AC





Please contact your local
Eureka distributor
for pricing & tech data



New South Wales

2C Brunner Road,
Chullora NSW 2190
Phone 1300 TOBINS, (02) 8713 5200
Email sales@tobins.com.au
www.tobins.com.au

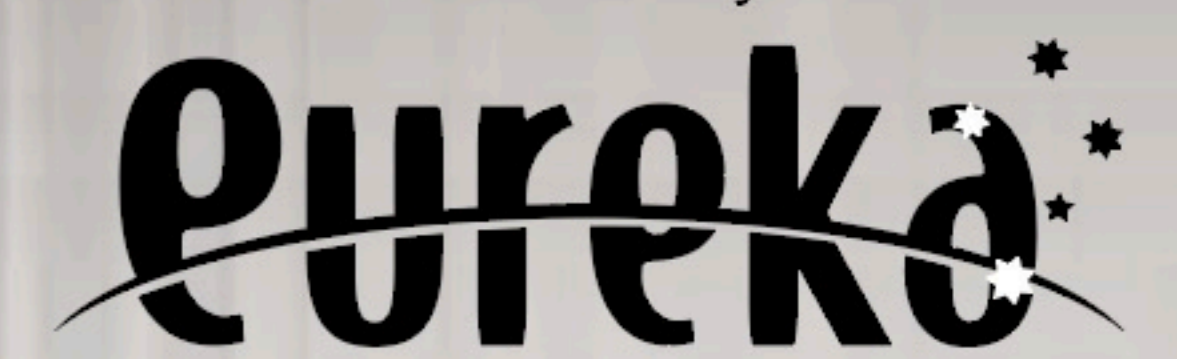


Victoria

98 Commercial Drive,
Thomastown VIC 3074
Phone (03) 9464 6555
Email sales@navcontrols.com.au
www.navcontrols.com.au



Distributed by:



DBK series Universal terminal